

# STATICWORX ESD BOLT CHAIRS

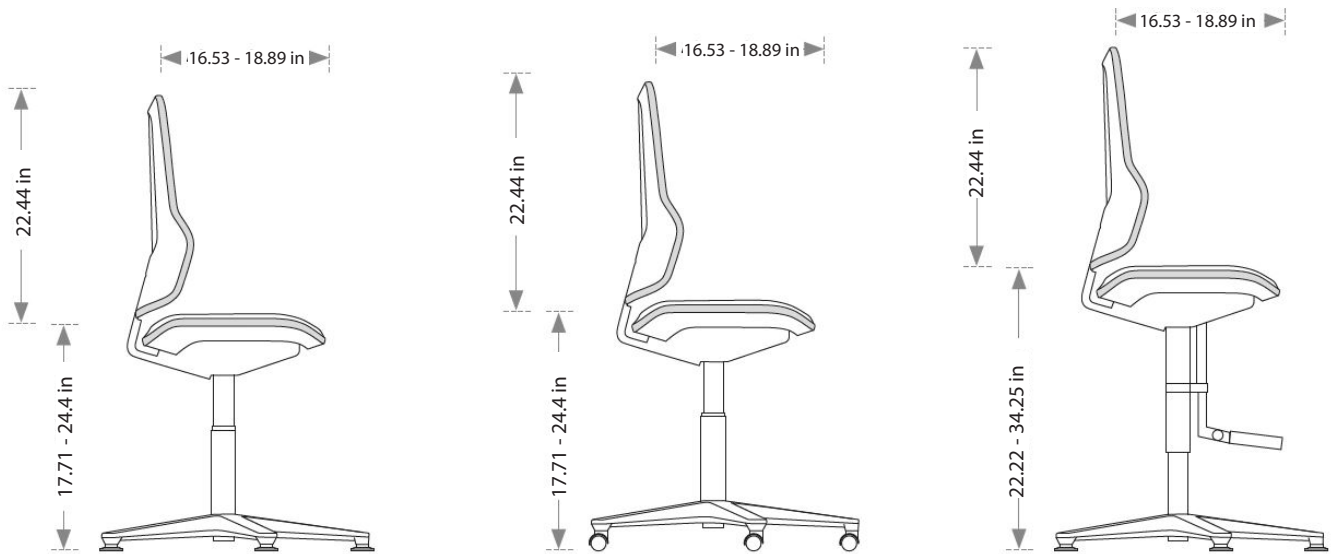
## NEW GENERATION WORKPLACE CHAIRS



## BOLT ESD SEATING

Bolt cuts a fine figure in ESD-protected workspaces, such as electronics manufacturing, clean rooms and labs, as well as critical call centers and other end-user spaces. This is due to its outstanding industrial-ergonomic design, combined with a wide choice of upholstery and optional features.

- Low maintenance
- Washable
- Robust
- Easy to repair
- Tough, durable
- 10 year limited warranty
- Economical
- Adaptable
- Flexible
- Conforms to body shape
- Ergonomic
- Easily configurable
- Upholstery easy to change
- Safe
- Sustainable
- Meets ANSI/ESD S20.20

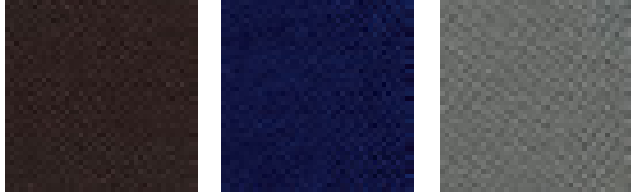


	<b>BOLT 1 (with guides)</b>	<b>BOLT 2 (with castors)</b>	<b>BOLT 3 (high with mounting aid and glides)</b>
SEAT HEIGHT	17.71 - 24.40 in	17.71 - 24.40 in	22.22 - 34.25 in
SEAT WIDTH	18.50 in	18.50 in	18.50 in
SEAT DEPTH	16.53 - 18.89 in	16.54 - 18.89 in	16.53 - 18.89 in
BACKREST HEIGHT	22.44 in	22.44 in	22.44 in

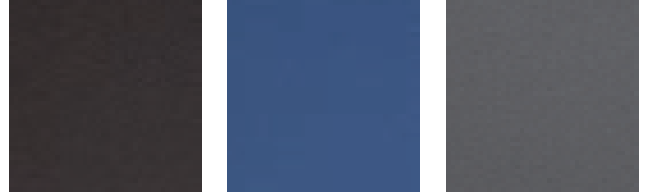


## UPHOLSTERY

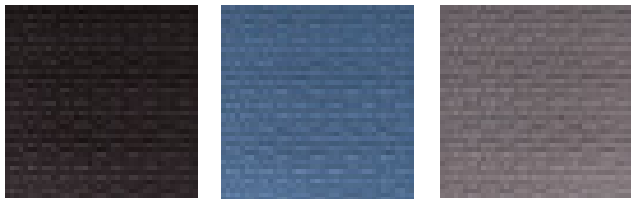
### ESD Fabric



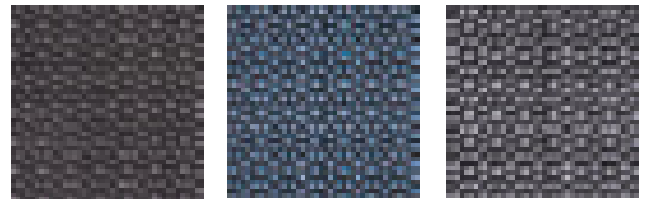
### ESD Synthetic Leather



### Integral Foam



### Ultratec



## FLEX STRIP



Cadmium orange (standard)



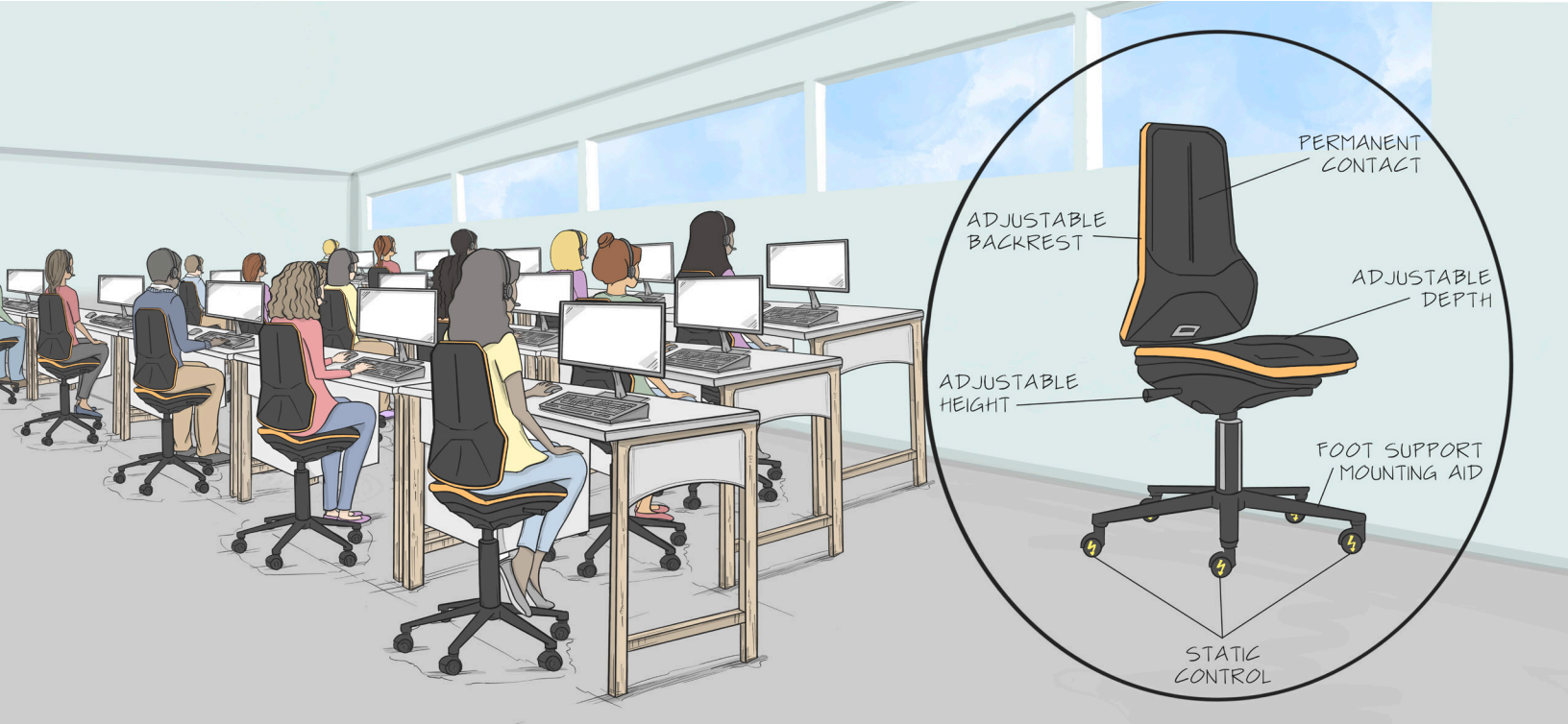
Neon green



Slate grey



Electric blue



	<b>BOLT 1 (with guides) Seat height 17.71 - 24.4 in</b>	<b>BOLT 2 (with castors) Seat height 17.71 - 24.4 in</b>	<b>BOLT 3 (high with mounting aid and glides) Seat height 22.22 - 34.25 in</b>
<b>FEATURES</b>	<p>Meets ANSI/ESD S20.20</p> <p>Complies with STM12.1</p> <p><b>Ergonomic package</b> Adjustable seat height Adjustable seat incline Adjustable seat depth Adjustable backrest height</p> <p><b>Aluminum base</b> Black Optional: aluminum polished</p> <p><b>Backrest shell</b> Black, conductive</p>	<p>Meets ANSI/ESD S20.20</p> <p>Complies with STM12.1</p> <p><b>Ergonomic package</b> Adjustable seat height Adjustable seat incline Adjustable seat depth Adjustable backrest height</p> <p><b>Aluminum base</b> Black Optional: aluminum polished</p> <p><b>Backrest shell</b> Black, conductive</p> <p><b>Castors for hard floors</b></p>	<p>Meets ANSI/ESD S20.20</p> <p>Complies with STM12.1</p> <p><b>Ergonomic package</b> Adjustable seat height Adjustable seat incline Adjustable seat depth Adjustable backrest height</p> <p><b>Aluminum base</b> Black Optional: aluminum polished</p> <p><b>Backrest shell</b> Black, conductive</p> <p><b>Height-adjustable mounting aid</b></p>



## ACCESSORIES & OPTIONS

